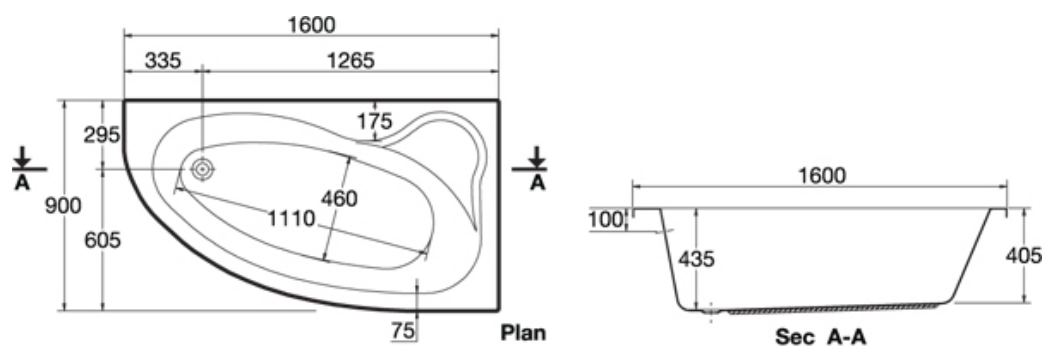


IDEAL STANDARD SURF RIGHT BATH TUB



Ideal Standard Surf Left 160 x 90 cm
bathing tub



• Surf right 160x90 cm: CR 86090